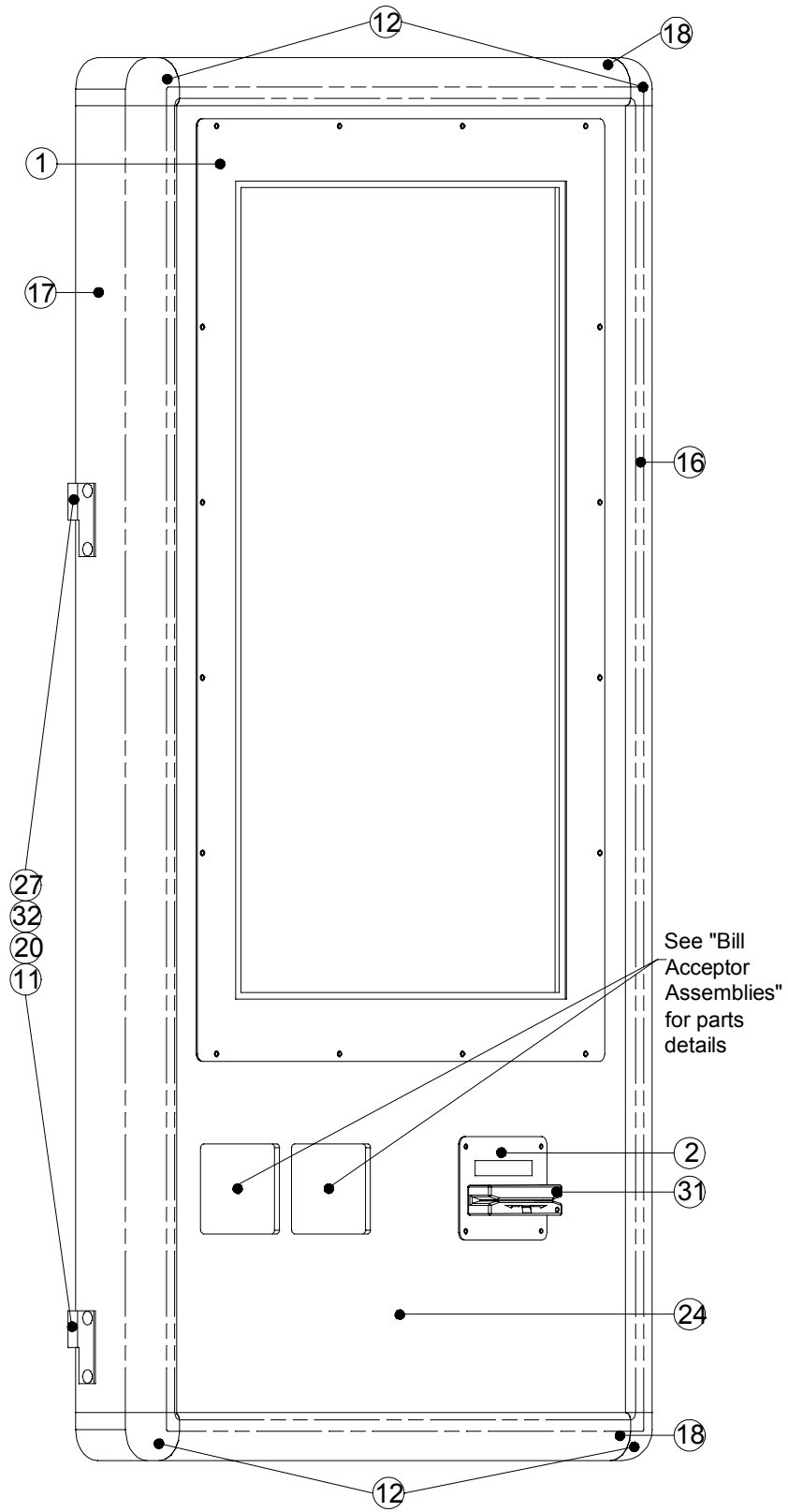


ROCK-STAR Lx™

Parts Catalog

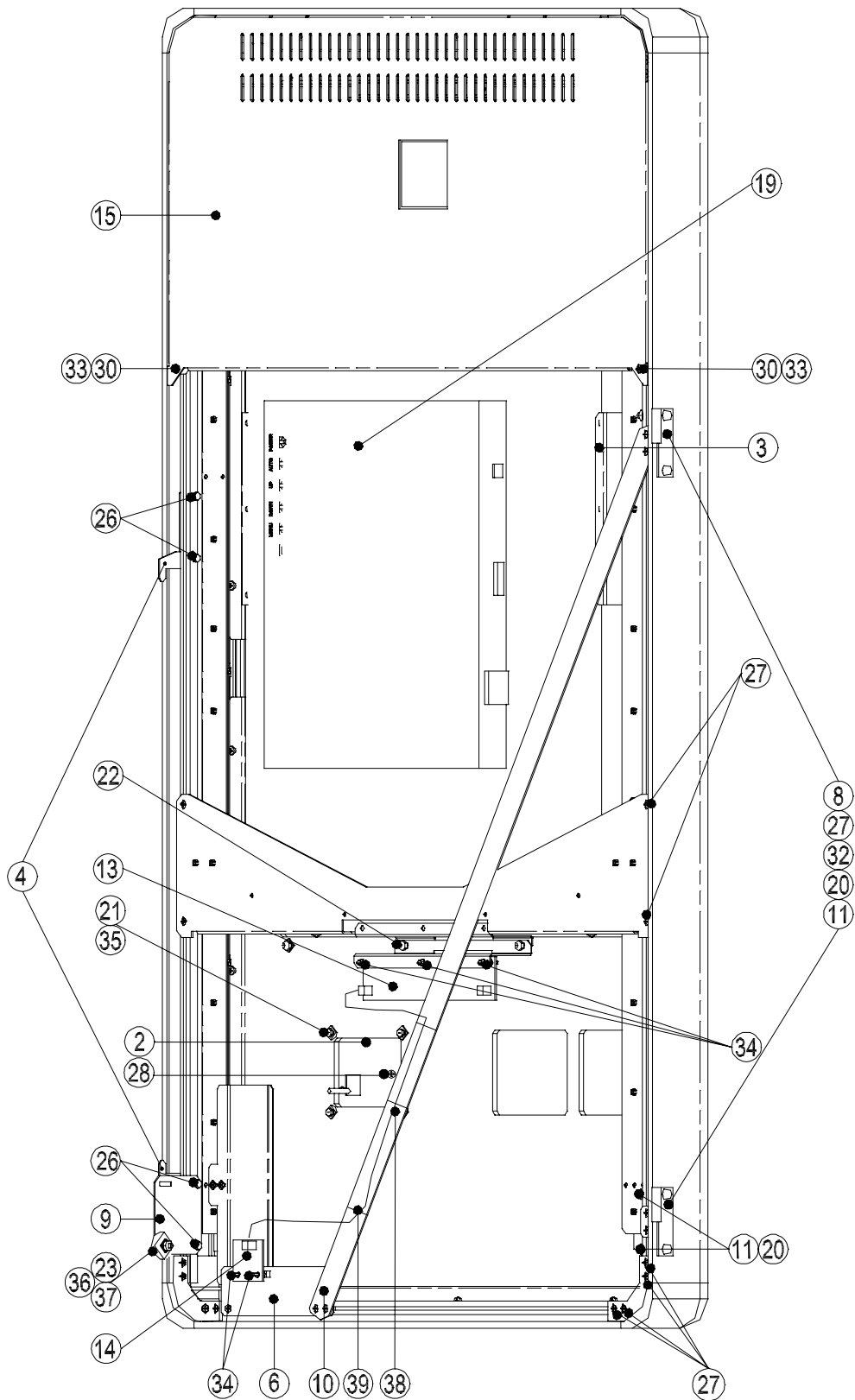
- Front Door
- Bill Acceptor Assemblies
- Inside and Outside Cabinet
- LCD Assembly
- Electronic Components
- Harnesses
- Accessories

Front Door



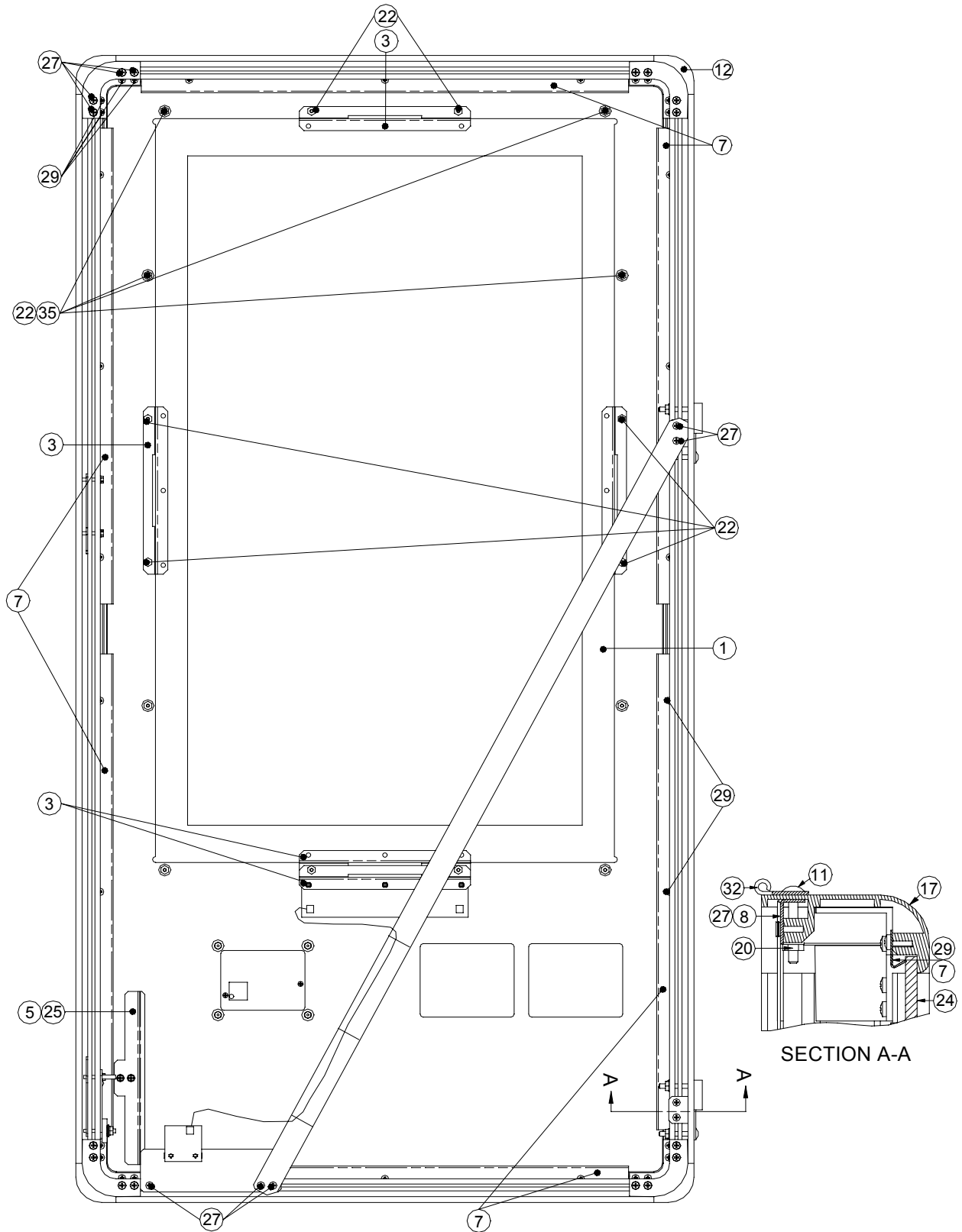
OUTSIDE VIEW

Front Door



INSIDE VIEW

Front Door



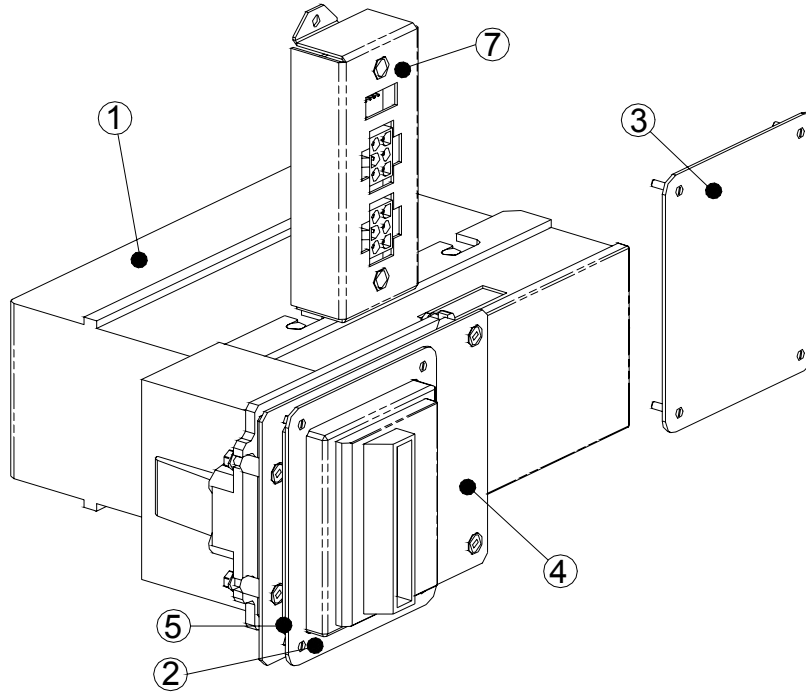
INSIDE VIEW – SHOWN WITHOUT BACK COVER, LCD & BRACKET ASSEMBLY

Front Door

Ref.	Qty.	Part #	Description
1	1	61194001	Bezel – 32" Display
2	1	34099501	Bezel – Card Reader
3	5	34098501	Bracket – Display Clamp
4	2	22312001	Bracket – Latch Hook
5	1	34098901	Bracket – Light Block
6	1	22317001	Bracket – LED Mounting
7	6	22314001	Bracket – Panel Retainer
8	2	22315001	Bracket – Hinge Reinforcement
9	1	22311001	Bracket – Roller
10	1	22318001	Bracket – Front Door Strut
11	4	89974824	Carriage Bolt #10-32 x 1 - 1/2
12	4	61333	Casting – Corner
13	1	34099101	CBA Triple LED 200MA
14	1	22164607	CBA White LED
15	1	61194401	Cover – Back
16	1	40981102	EXT. – Right Side
17	1	40981101	Extrusion – Left Side
18	2	61297	Extrusion – Top/Bottom
19	1	61195401	LCD & Bracket Assembly
20*	4	87844400	Nut – #10-32 Keps Hex*
21*	4	87841600	Nut – #4-40 Keps Hex*
22*	16	87842300	Nut – #6-32 Keps Hex MS*
23*	1	87843000	Nut – #8-32 Hex MS, Keps*
24	1	61194601	Panel – Front Door
25*	2	80403003	Screw – #8-32 X 3/16 PH PHMS S.F.*
26*	4	80443012	Screw – #8-32 X 3/4 Hex WHM*
27*	31	80393007	Screw – #8-32 X 7/16 FHPS*
28*	2	28277901	Screw – M3 X 6 Phil/Pan Head*
29*	34	80493008	Screw #8-32 X 1/2 Phil/Pan Head*
30*	2	80443012	Screw -#8-32 X 5/8 Phillips FH SF*
31	1	22185301	Credit Card Reader
32	2	22309002	Slip Hinge – Female
33	2	70121724	Spacer
34	5	70500004	Support – Circuit Board
35	12	70120019	Washer – Heavy
36	1	25156910	Washer – Shoulder
37	1	22213801	Wheel
38	1	22140920	Ribbon Cable Assembly
39	3	70800101	Tie Wrap

*Components not shown in drawing.

Bill Acceptor Assemblies



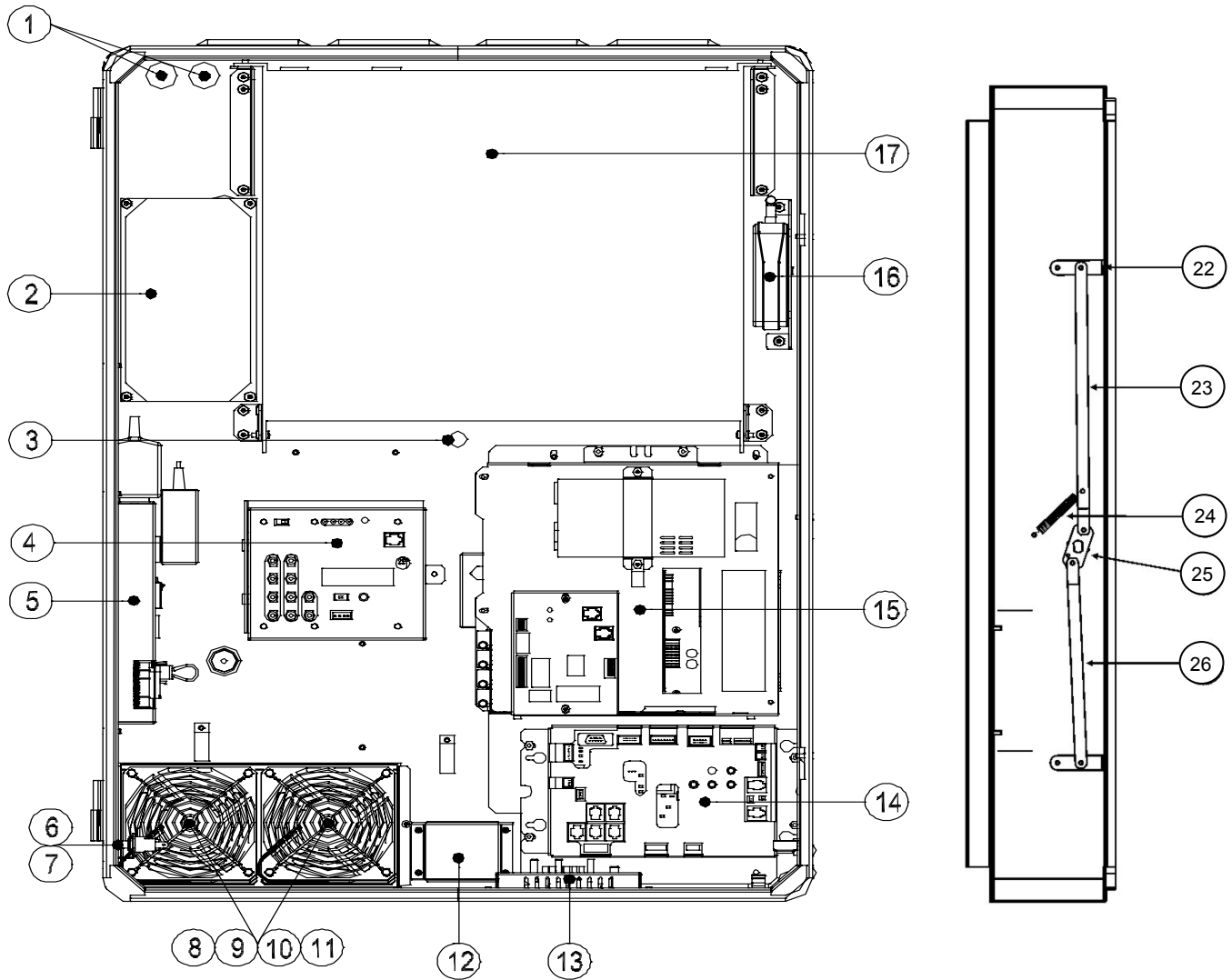
22316001 – Single MEI Bill Acceptor (700 bill)			
Ref.	Qty.	Part #	Description
1	1	22135613	B/A – MEI Downstack
2	1	34098701	Bezel – MEI B/A
3	1	34098801	Blockout B/A
4	2	40981201	Bracket – B/A Mounting
5	1	22320202	Gasket – MEI B/A

22316003 – Single Coinco Bill Acceptor (700 bill)			
Ref.	Qty.	Part #	Description
1	1	22135614	B/A – Coinco Downstack
2	1	34098601	Bezel – Coinco B/A
3	1	34098801	Blockout B/A
4	2	40981201	Bracket – B/A Mounting
5	1	22320201	Gasket – Coinco B/A

22316002 – Dual MEI Bill Acceptors (700 bill)			
Ref.	Qty.	Part #	Description
1	2	22135613	B/A – MEI Downstack
2	2	34098701	Bezel – MEI B/A
3	1	34098801	B/A – Blockout
4	2	40981201	Bracket – B/A Mounting
5	2	22320202	Gasket – MEI B/A
6	2	34022338	Dual B/A Harness (not shown)
7	1	34100001	CBA & Cover Assembly

22316004 – Dual Coinco Bill Acceptors (700 bill)			
Ref.	Qty.	Part #	Description
1	2	22135614	B/A – Coinco Downstack
2	2	34098601	Bezel – Coinco B/A
3	1	34098801	B/A – Blockout
4	2	40981201	Bracket – B/A Mounting
5	2	22320201	Gasket – Coinco B/A
6	2	34022338	Dual B/A Harness (not shown)
7	1	34100001	CBA & Cover Assembly

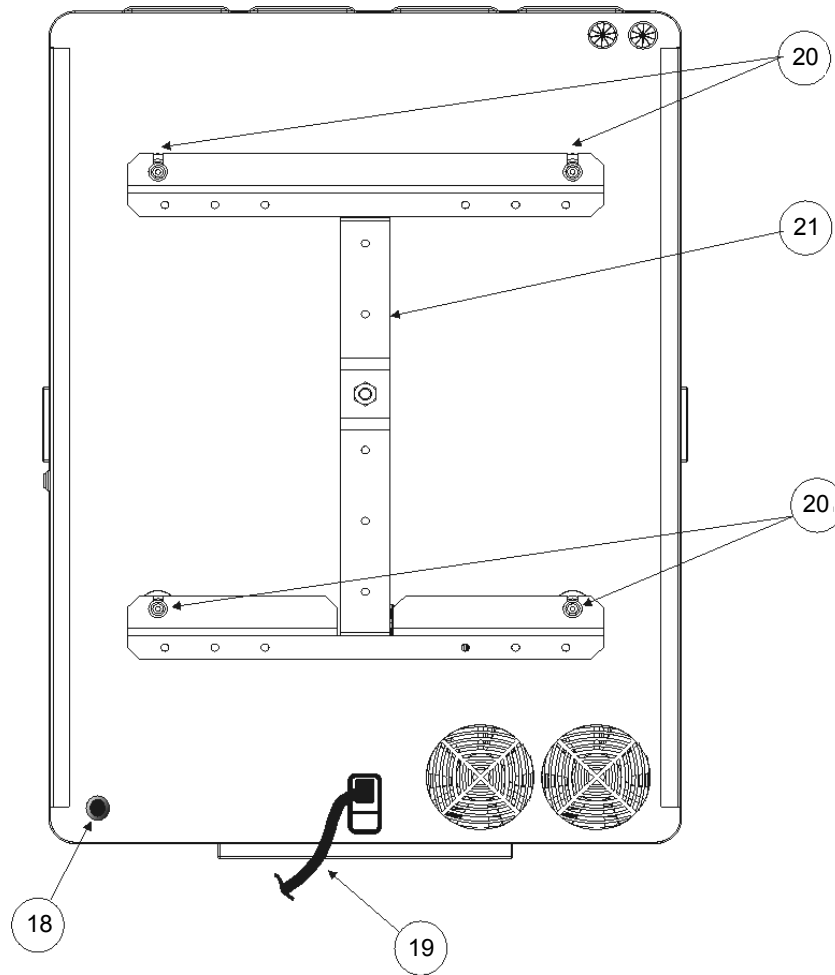
Inside and Outside Cabinet



INSIDE CABINET

LOCK PARTS

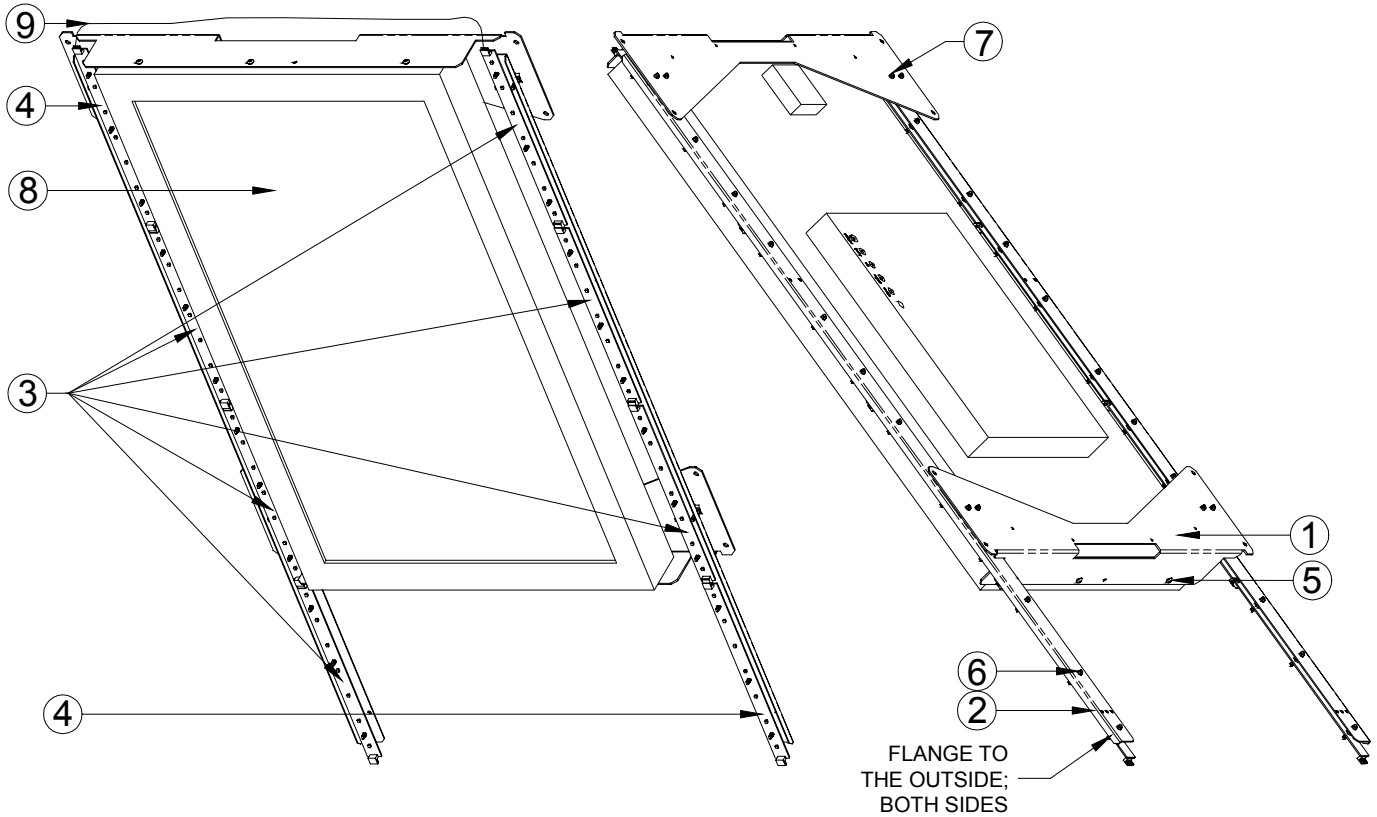
Inside and Outside Cabinet



OUTSIDE CABINET

Ref.	Part #	Description	Ref.	Part #	Description
1	ST-11530	Bushing, Wire Access Holes	14	40955703	Rowelink Controller
2	70251-A	Audio Distribution Assembly	15	70260-1A	Core Assembly
3	ST-11527	Hex Bolt 1/2-13 x 3/4	16	28280004	Router
4	70261-A	Pre- Amplifier Assembly	17	61084-A	Peavey Amp 900 Watt
5	40982101	Power Supply	18	58679	Push-Button (Power)
6	21581801	ATX Reset Button	19	58620-LF	Power Cord
7	21581801	Router Reset Button	20	59953-LF	Spool, Aluminum (4 places)
8	60820-LF	Fan (2 places)	21	59944-LF	Wall Bracket
9	60809-A-LF	Fan Filter Housing (2 places)	22	22321201	Lock Catch (2 pl)
10	21895504	Fan Grill (2 places)	23	34100601	Lock Arm
11	40982401	Fan Bracket	24	59363	Spring
12	22320701	Power In Transfer Box Assy	25	22321101	Lock Cam
13	40976901	Lighting Controller	26	34100501	Lock Arm Short

LCD Assembly



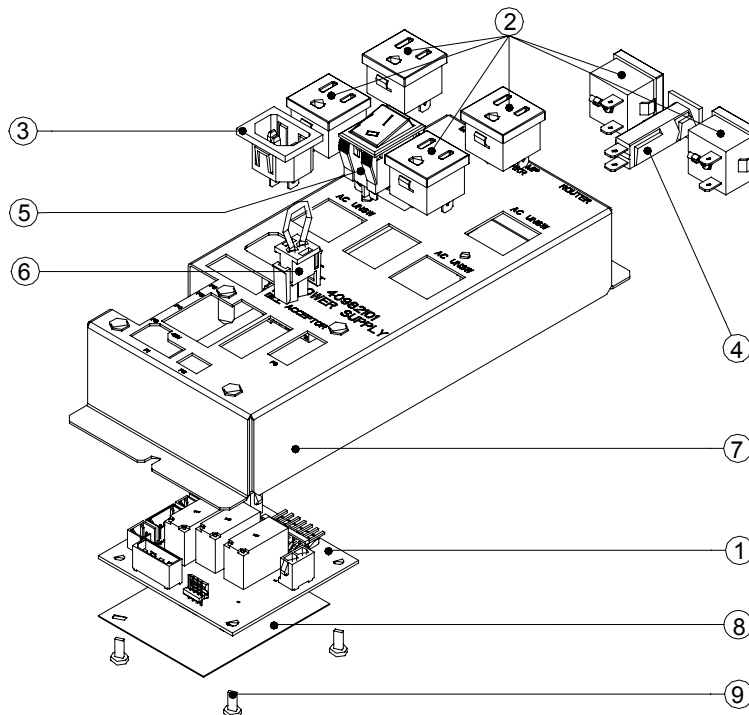
OUTSIDE VIEW

INSIDE VIEW

Ref.	Qty.	Part #	Description
1	2	61194201	Display Mounting Bracket
2	2	61194301	LED CBA Mounting Bracket
3	6	40976601	Inner LED Lights Circuit Board Assembly
4	2	40976602	Outer LED Lights Circuit Board Assembly
5	6	28254502	M4 X 10 Phil Pan Head Screw
6	24	70500004	Circuit Board Support
7	8	70500006	Circuit Board Support
8	1	61194701	32" Touchscreen Display
9	1	22212820	Ribbon Cable Assembly

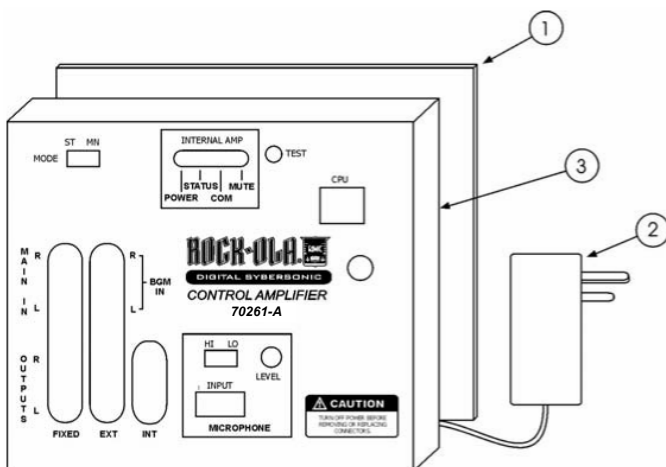
Electronic Components

Power Supply Assembly 40982101



Ref.	Qty.	Part #	Description	Ref.	Qty.	Part #	Description
1	1	34099701	Circuit Board Assembly	8	1	25241206	Circuit Board Insulator
2	6	21375903	Convenience Outlet - 3 Wire	9	4	80403006	#8-32 X 3/8 Phillips Screw
3	1	22118703	Power Inlet – IEC 320 C-14	Components not shown above:			
4	1	70073618	Circuit Breaker – 15 AMP	10	1	34099801	Power Supply Harness
5	1	30785704	Rocker Switch (DPST)	11	2	87843000	#8-32 Keps Hex MS Nut
6	1	22135405	Jumper Plug	12	1	21963846	Wire & Terminal Assembly
7	1	61195601	Power Supply Cover	13	2	21963845	Wire & Terminal Assembly

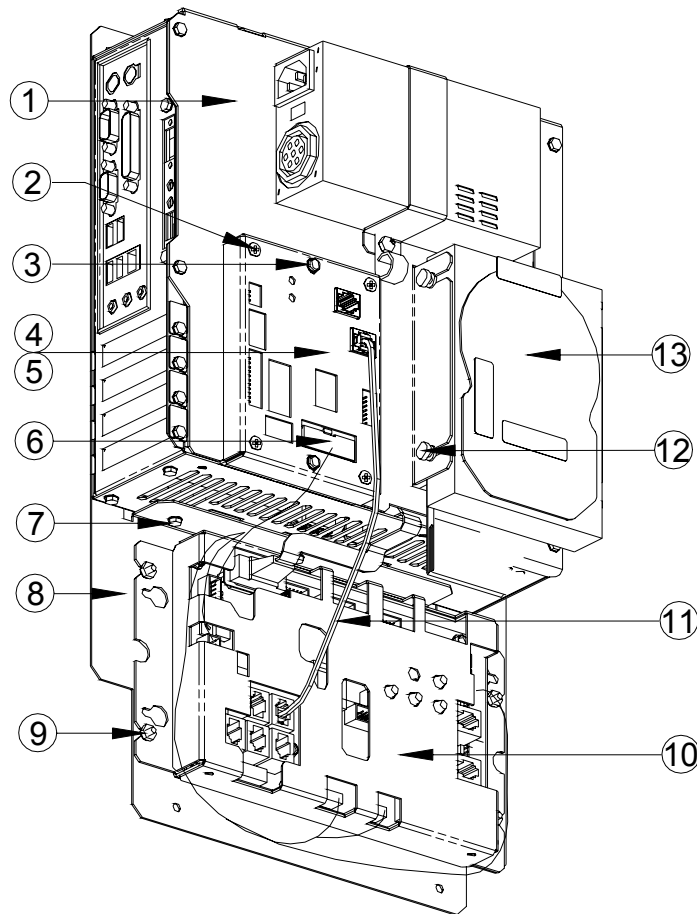
Pre-Amplifier Assembly 70261-A, AMI System



Ref.	Part #	Description
1	62004-A	PCB, Pre-Amplifier
2	61184-LF	Power Cube, 18VDC, 1Amp
3	61080-A-LF	Cover, Pre-Amplifier

Electronic Components

Core Assembly w/ AMI System Interface 70260-1A



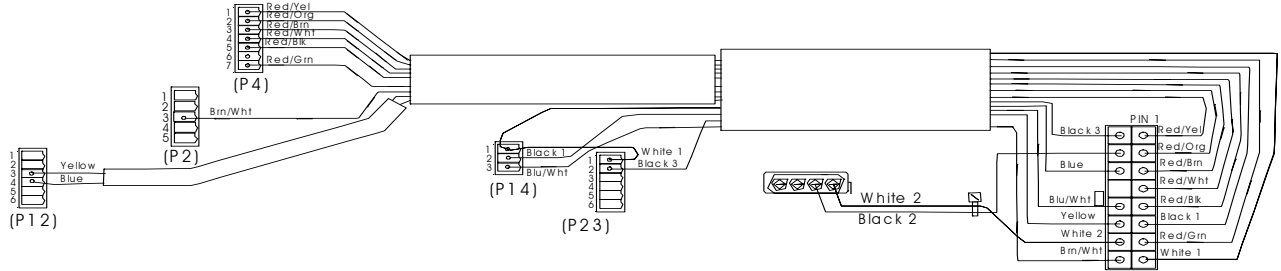
Ref.	Qty.	Part Number	Description	Ref.	Qty.	Part Number	Description
1	1	61176513	Computer Core Assembly	8	1	61188002	Core and Rowelink Bracket
2	4	ST-06348	Screw - #6-32 X 1/4" Phil Pan Head (inside cover)	9	6	87842300	Keps Nut - #6-32
3	2	80442304	Screw - #6-32 X 1/4" Hex WHS	10	1	40955703	Rowelink Controller Assembly
4	1	61992-LF	Peripheral Interface Cover	11	1	58902-A-LF	Volume Control Harness
5	1	40981401	Peripheral Interface CBA	12	4	ST-11572	Thumbscrew (for reference only—not part of assembly)
6	1	61973-A-LF	Rowelink Harness	13	1		AMI Hard Drive (Contact your authorized Rock-Ola distributor for replacement)
7	2	80742304	Screw - #6-32 X 1/4" Sems Hex WHMS				

Harnesses

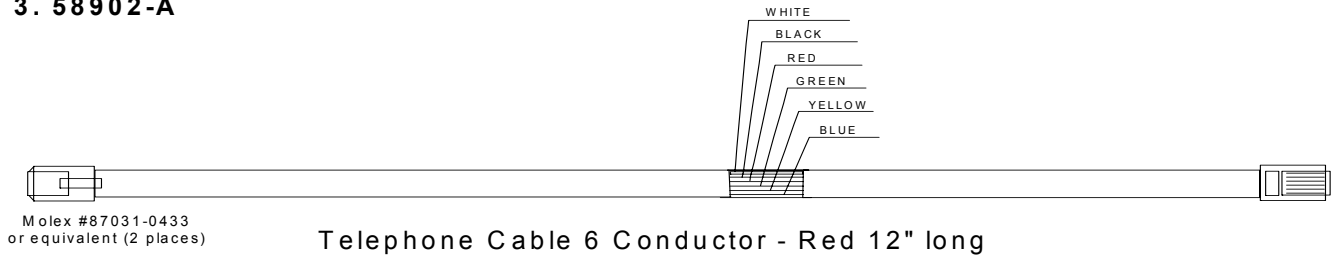
1. 61972-A-LF



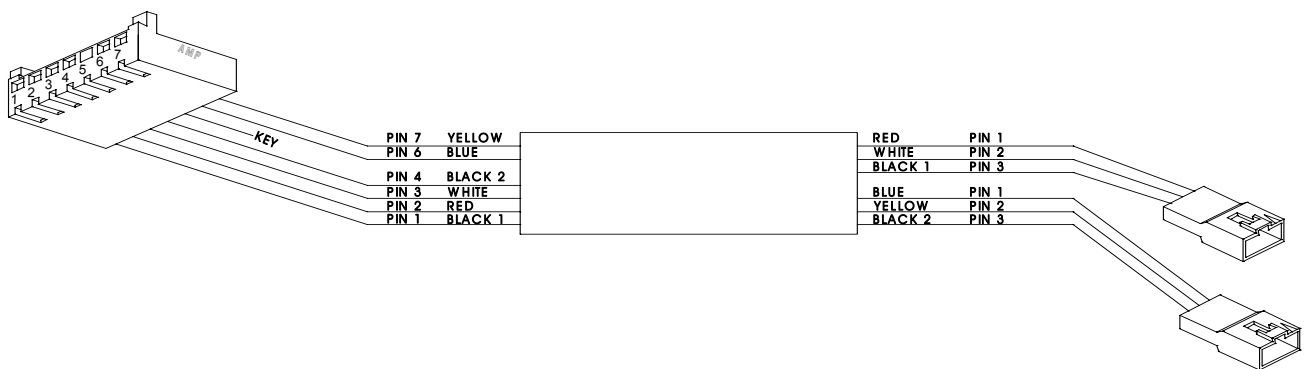
2. 61973-A-LF



3. 58902-A

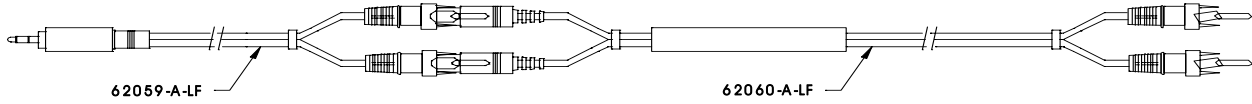


4. 60842-2A-LF

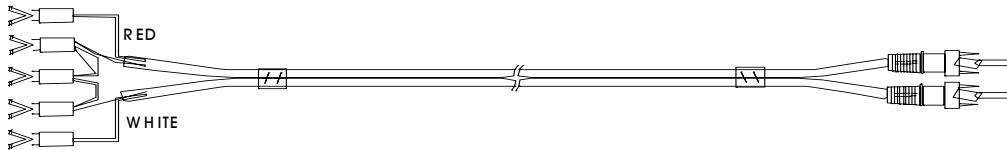


Harnesses

5. 62060-A-LF 62059-A-LF

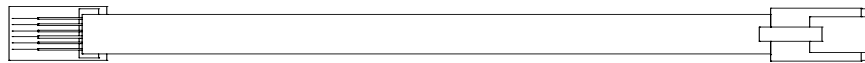


6. 61239-A-LF



7. 62009-A-LF

Blue
Yellow
Green
Red
Black
White

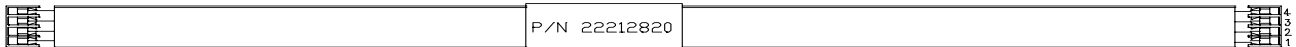


8. 58923-A-LF

Green/Yellow, 16 AWG, UL AWM 300V Stranded, 7.0' Lg

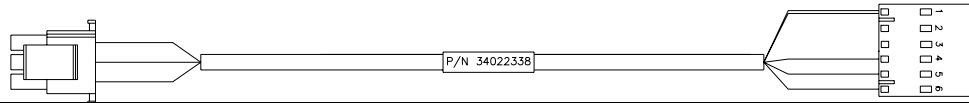


9. 22212820

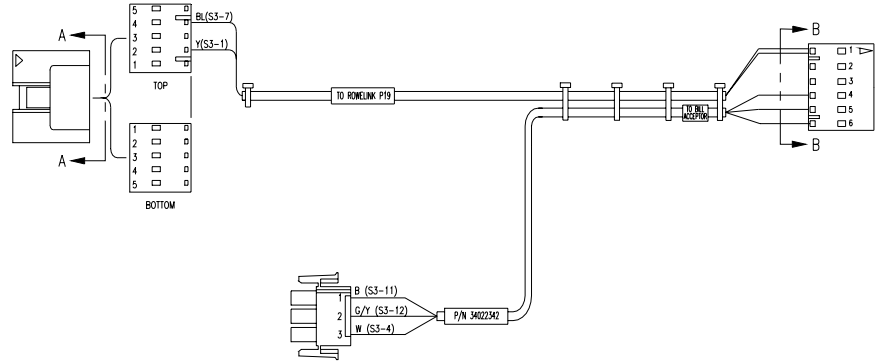


Harnesses

10. 34022338



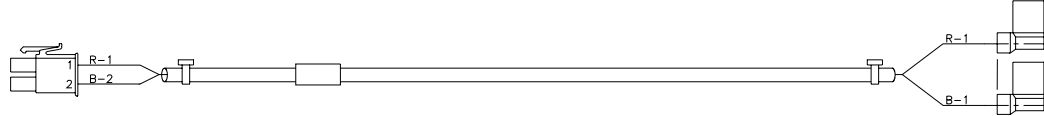
11. 34022342



12. 34033235



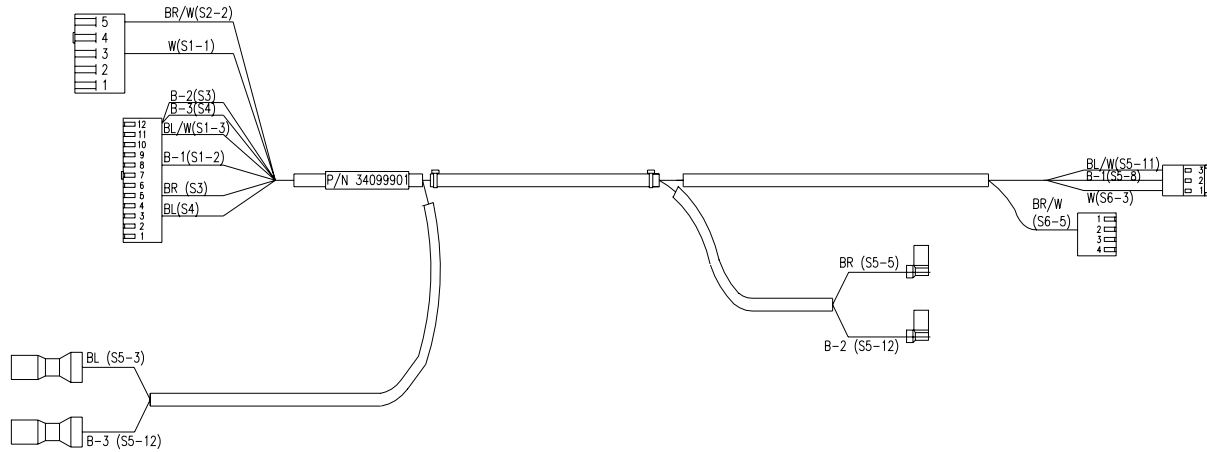
13. 34037940



14. 34100301



15. 34099901



Harnesses

Item	Part number	Description
1	61972-A-LF	Rowelink Serial Harness
2	61973-A-LF	Rowelink Harness
3	58902-A	Communication Harness, 12"
4	60842-2A-LF	Cabinet Fans Harness
5	62059-A-LF and 62060-A-LF	Audio Harness, Dual RCA, 6" and Audio Isolator Harness, 24"
6	61239-A-LF	Peavey Audio Input Harness
7	62009-A-LF	Wired Volume Control Harness, 24"
8	58923-A-LF	Ground Strap, 7"
9	22212820	LED Board Interconnect Harness
10	34022338	Dual Bill Acceptor Harness
11	34022342	Single Bill Acceptor Harness
12	34033235	Ribbon Lighting Harness
13	34037940	ATX Reset Harness
14	34100301	Audio Output Assembly Harness
15	34099901	Peripheral Cabinet Harness
16	62002-A-LF	Ctrl On / Reset / LED Harness (<i>not shown</i>)
17	61122-LF	Power Cord, right-angle, 3 feet (<i>not shown</i>)

Accessories

Part Number	Description
22118911	Handy Pack (contains the following)
21958306	IR Transmitter
40846302	IR Receiver
34037905	IR Receiver Cable
22310001	Cabinet Feet
58620-LF	Power Cord
22022611	Installation and Owner's Manual
70004-1A	2-Channel Remote Control
62009-A-LF	Remote Control Cable
ST-11327 (2)	#8 x 1 1/2" Phillips Pan Head Screws for 2-Channel Remote
60608-A	Lock Cam (Ace Lock)
62021-A	Service Envelope (contains the following)
62022	Warranty Card
ST-11149	Spade Connector
ST-11572 (4)	Thumbscrew, 6-32 x 1/4", Hard Drive Mounting
22200861	Small Parts Kit (contains the following)
ST-11526 (4)	Screw, Lag 1/4 x 1-1/2" Hex Head
ST-04565-D	8-32 x 1" Phillips Head Screw
86663614	#8 x 7/8 Type 17 Screw

Optional Kits	
02468	Wireless, RF Remote Control Kit
02476	4-Channel Wired Remote Control Kit