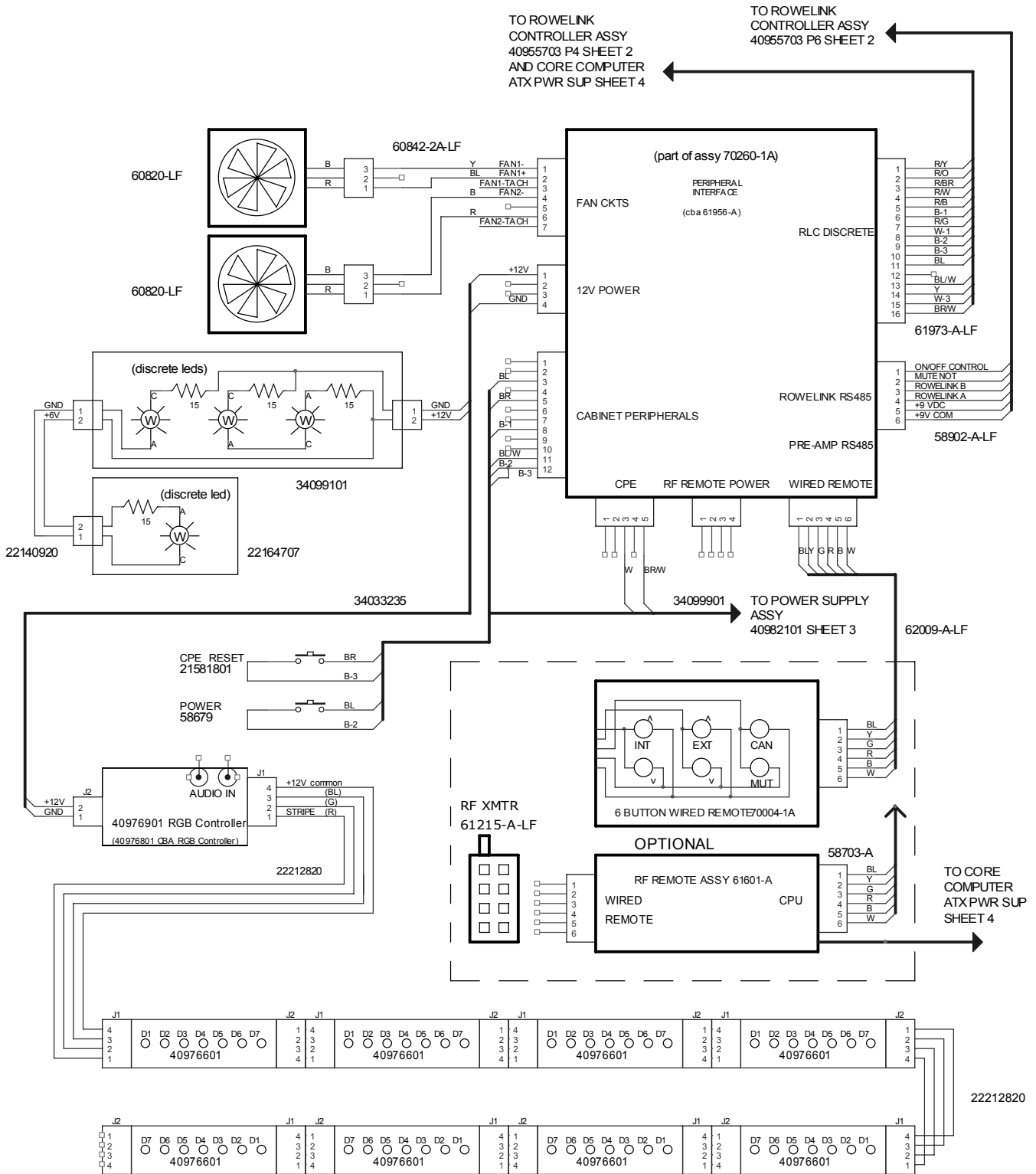
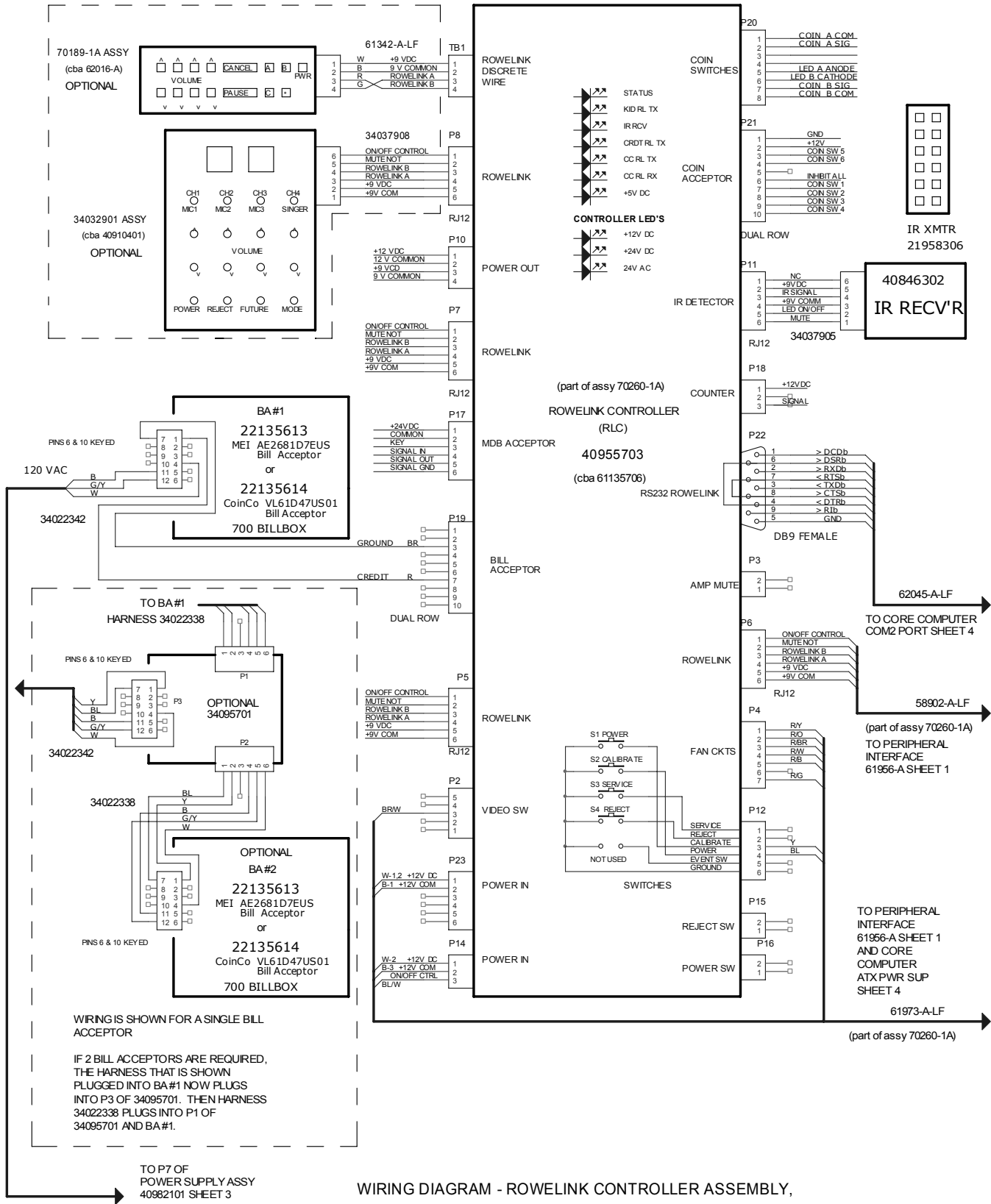


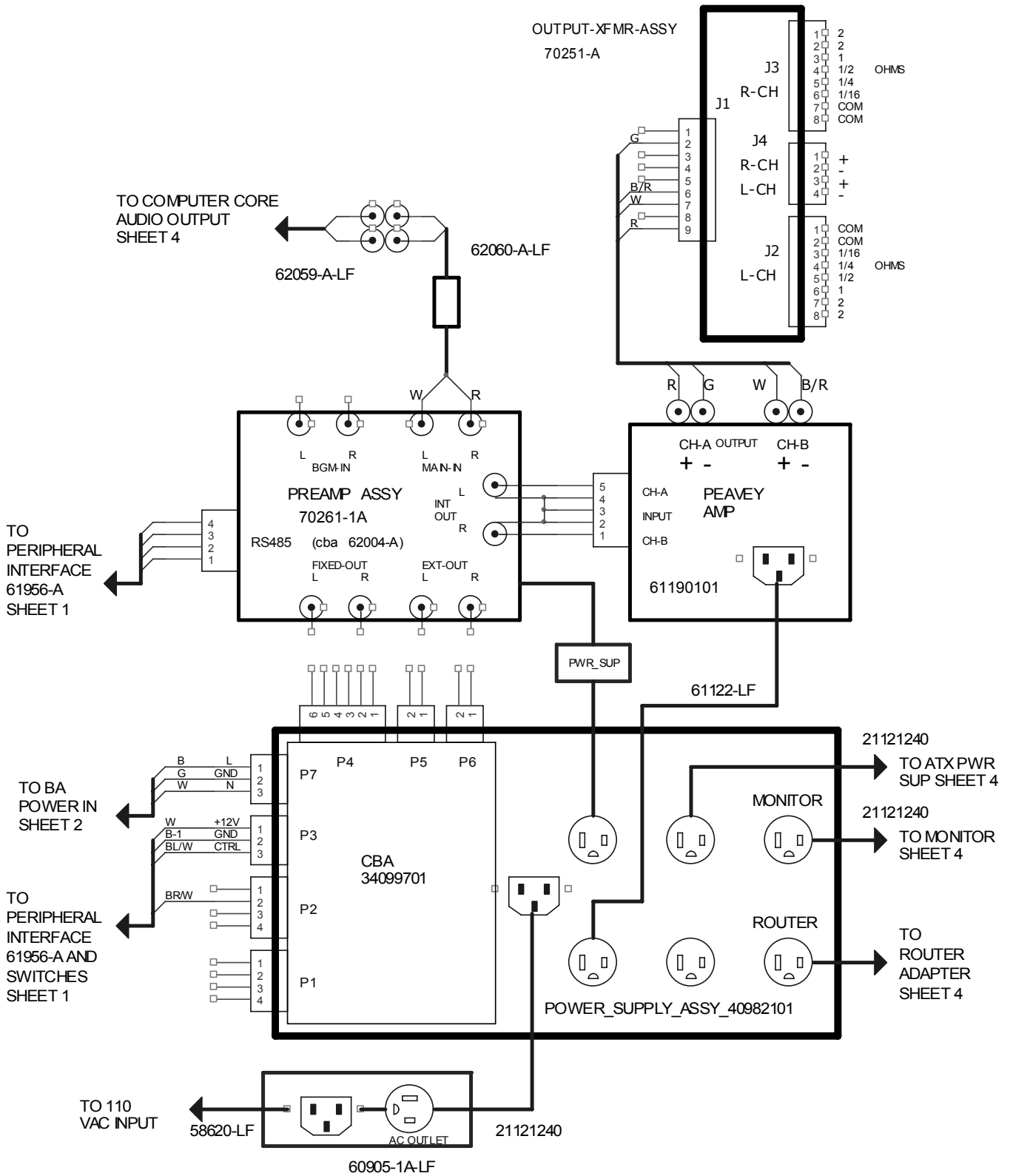
Connection Diagrams



WIRING DIAGRAM - PERIPHERAL INTERFACE ASSEMBLY,
LED LIGHTING, RF REMOTE, AND 2 CH VOLUME CONTROL

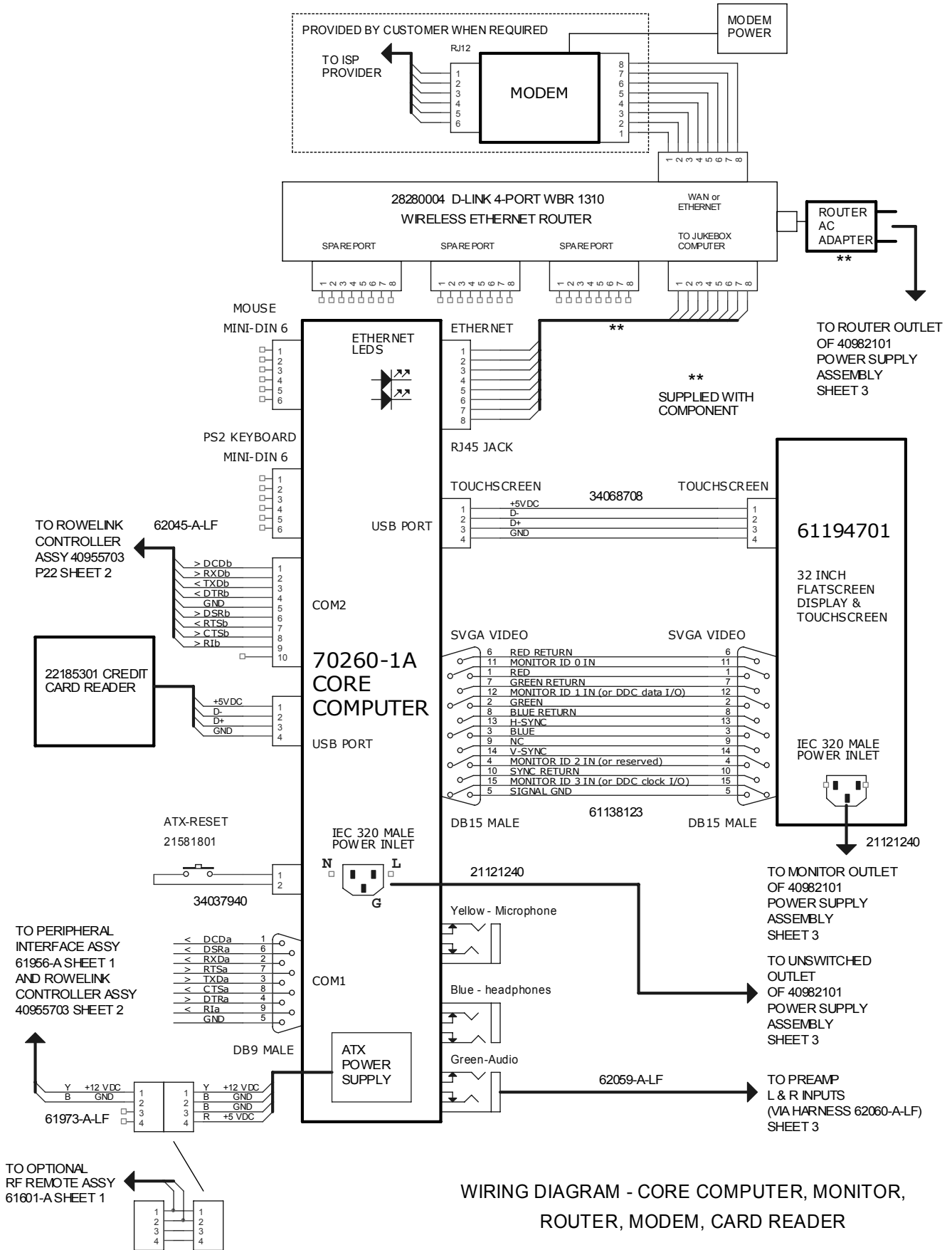


WIRING DIAGRAM - ROWELINK CONTROLLER ASSEMBLY, BILL ACCEPTOR, 4 CH VOLUME CONTROLS



WIRING DIAGRAM - PREAMP, PEAVEY AMP,
OUTPUT TRANSFORMER ASSEMBLY

SHEET 3



WIRING DIAGRAM - CORE COMPUTER, MONITOR, ROUTER, MODEM, CARD READER