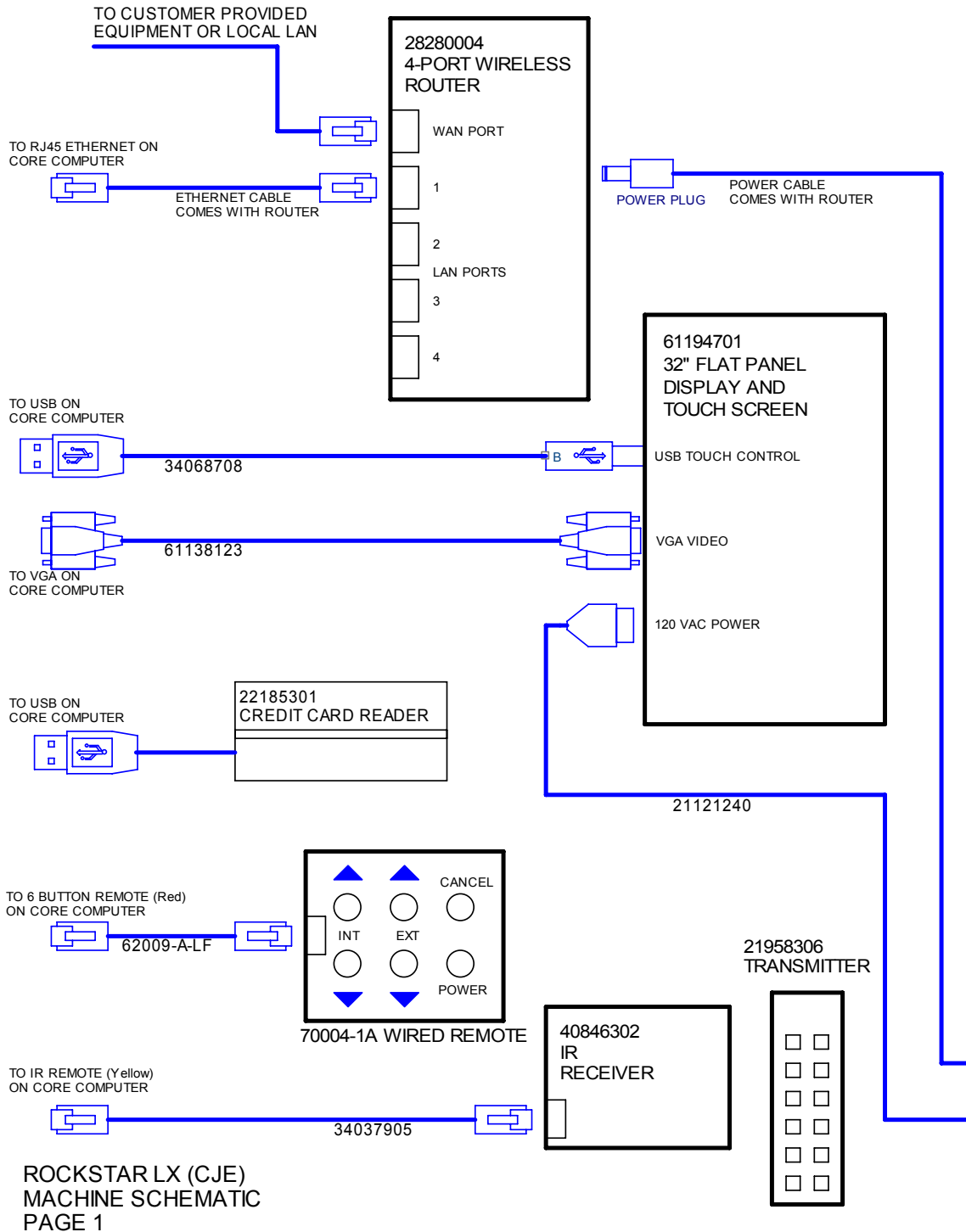
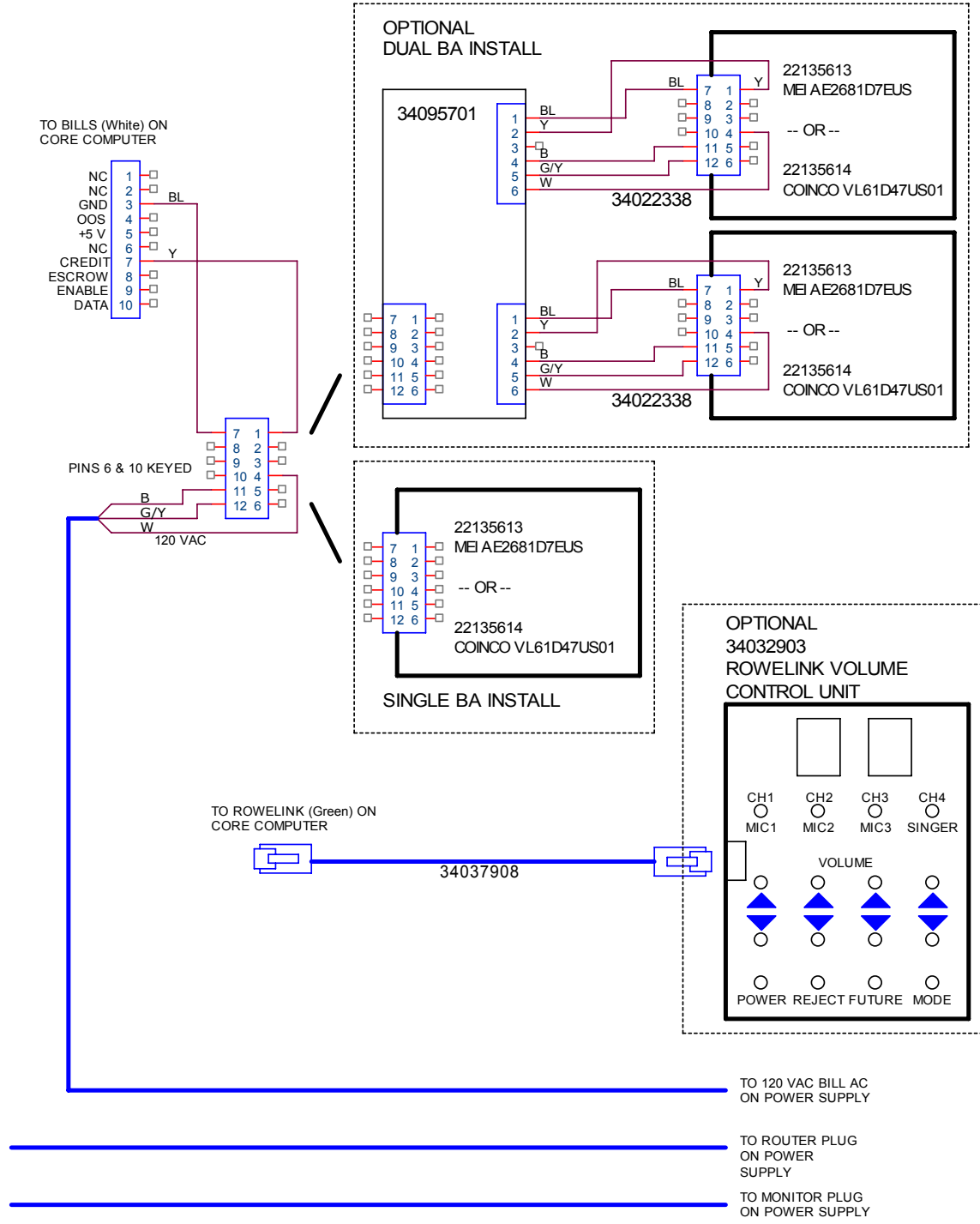


Connection Diagrams

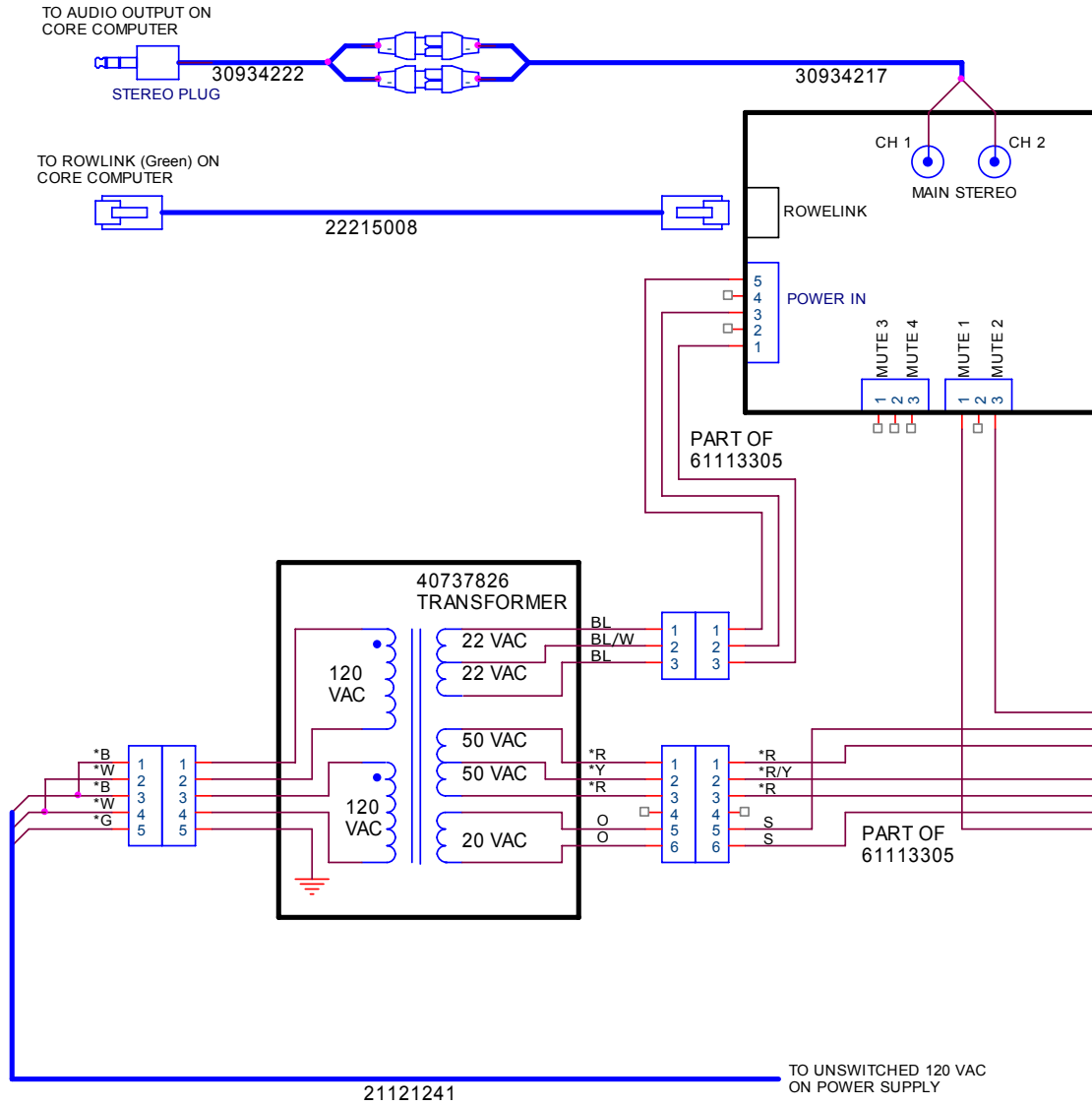


ROCK-STAR LX WIRING DIAGRAM (PAGE 1)



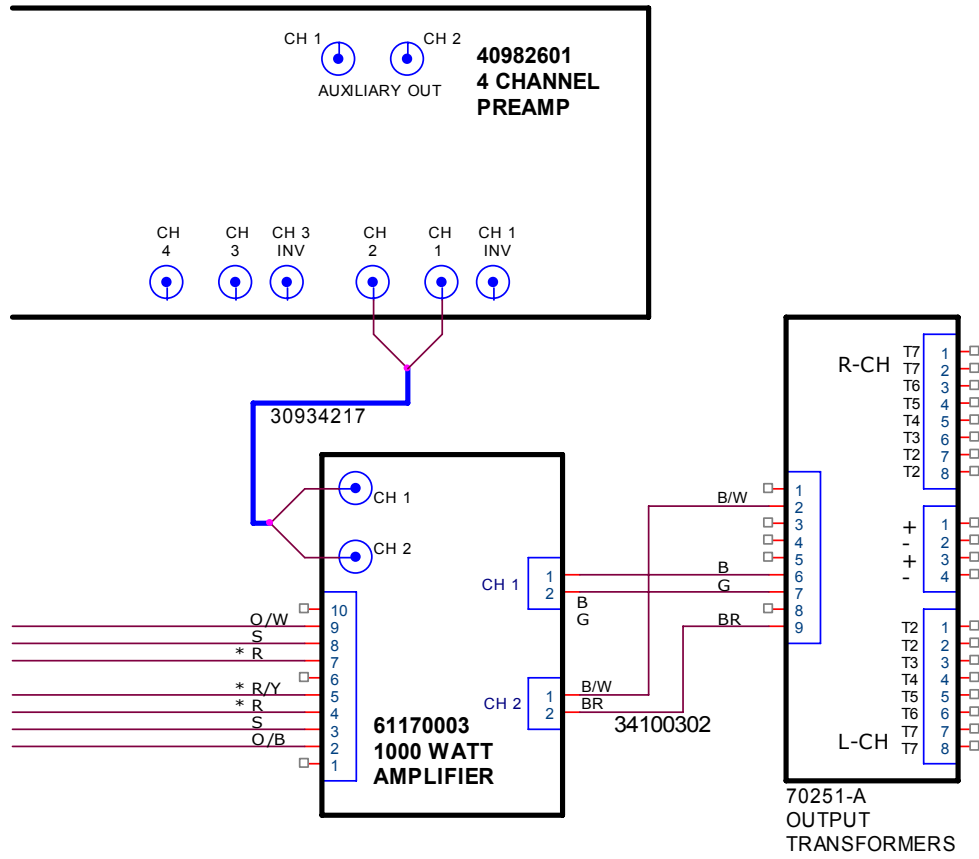
ROCKSTAR LX (CJE)
MACHINE SCHEMATIC
PAGE 2

ROCK-STAR LX WIRING DIAGRAM (PAGE 2)



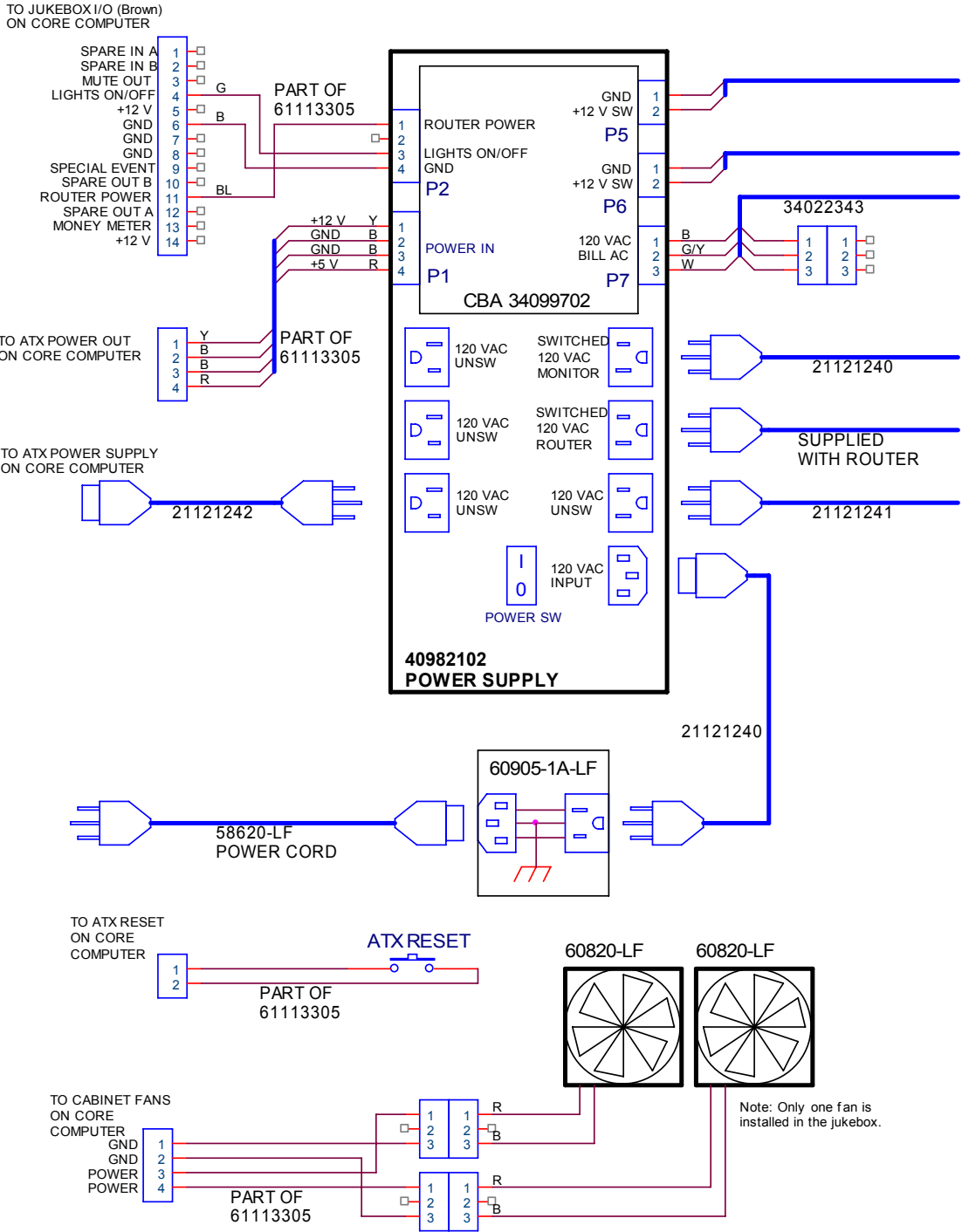
ROCKSTAR LX (CJE)
MACHINE SCHEMATIC
PAGE 3

ROCK-STAR LX WIRING DIAGRAM (PAGE 3)

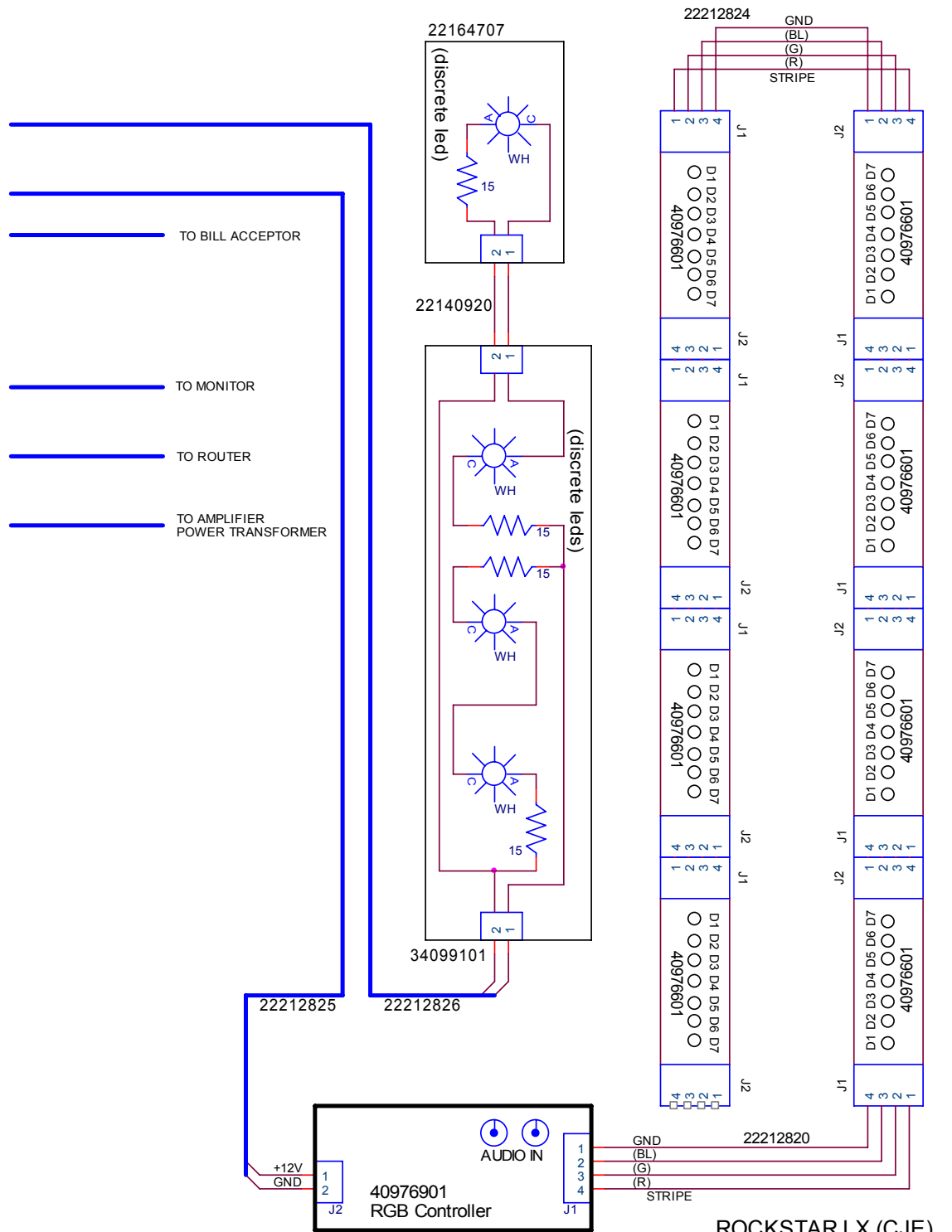


ROCSTAR LX (CJE)
MACHINE SCHEMATIC
PAGE 4

ROCK-STAR LX WIRING DIAGRAM (PAGE 4)

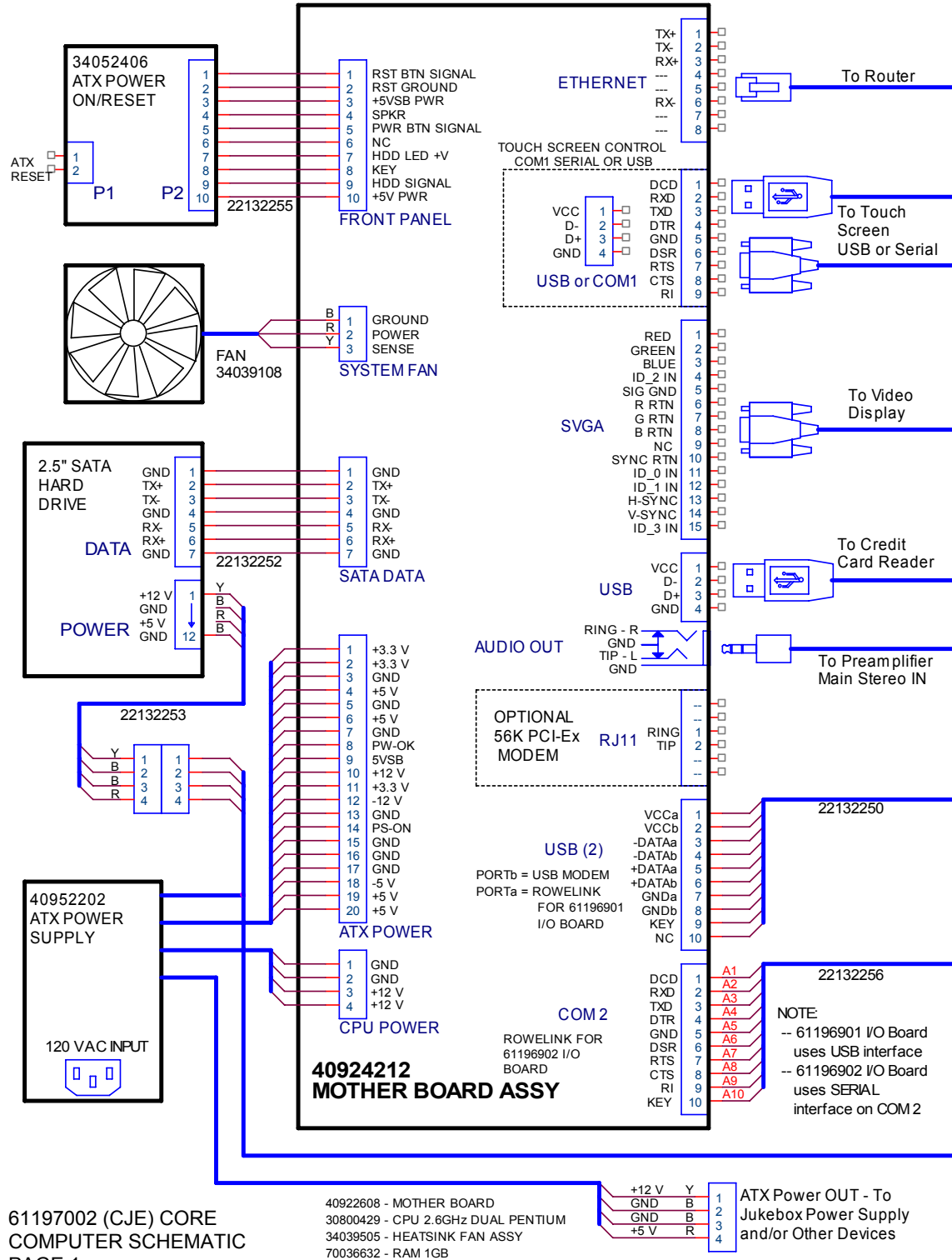


ROCKSTAR LX (CJE)
MACHINE SCHEMATIC
PAGE 5



ROCKSTAR LX (CJE)
MACHINE SCHEMATIC
PAGE 6

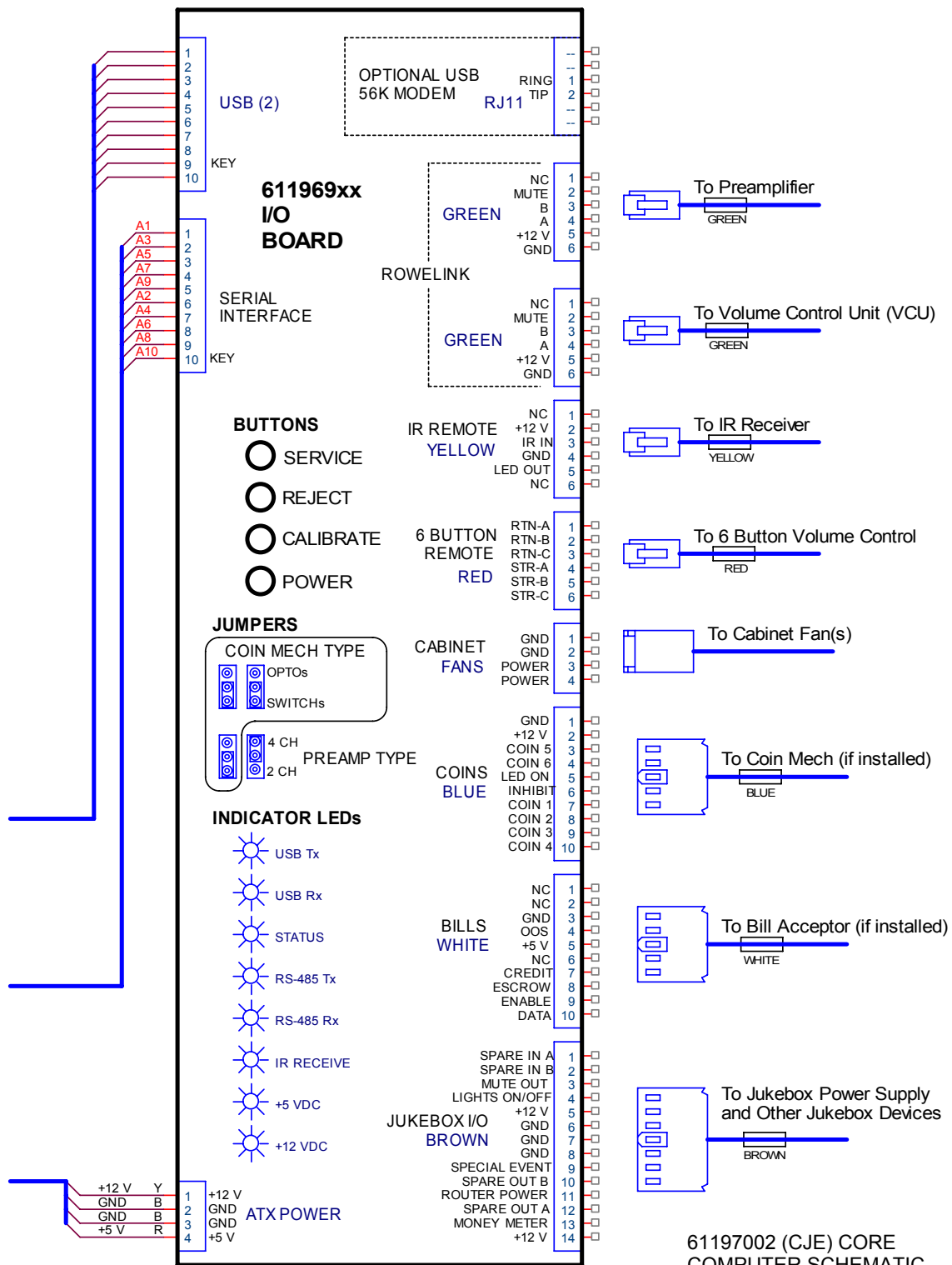
ROCK-STAR LX WIRING DIAGRAM (PAGE 6)



61197002 (CJE) CORE
COMPUTER SCHEMATIC
PAGE 1

40922608 - MOTHER BOARD
30800429 - CPU 2.6GHz DUAL PENTIUM
34039505 - HEATSINK FAN ASSY
70036632 - RAM 1GB

+12 V Y 1
GND B 2
GND B 3
+5 V R 4
ATX Power OUT - To
Jukebox Power Supply
and/or Other Devices



61197002 (CJE) CORE
COMPUTER SCHEMATIC
PAGE 2